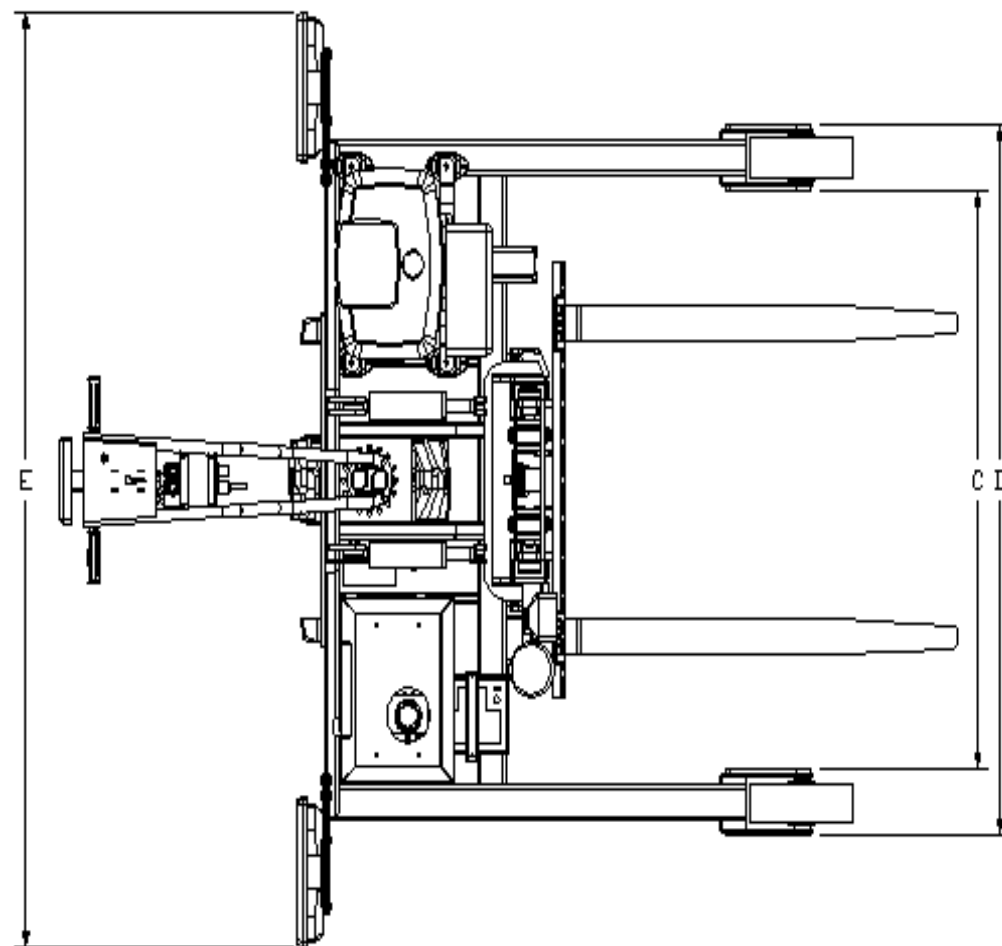
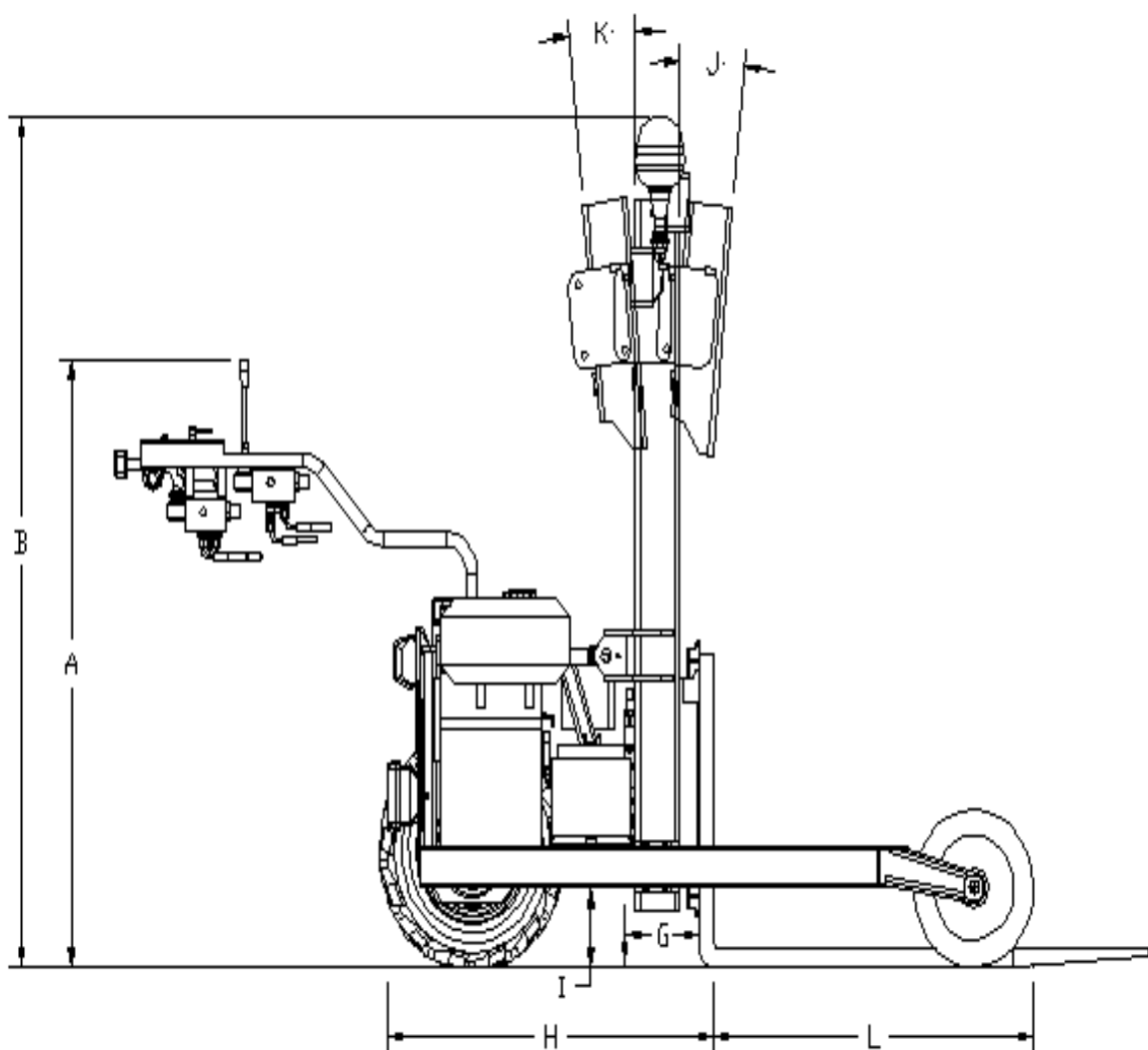


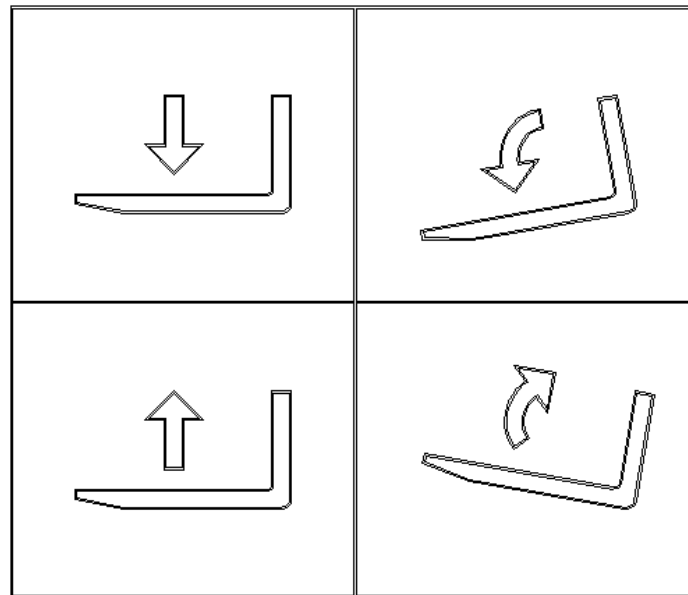


MANUFACTURER

Model		CAB
Capacity		1.200 kg
Center of gravity		600 mm
Lifting height		1.800 mm
A	Lever height	1.150 mm
B	Height of the mast collapsed	1.550 mm
C	Width between arms	1.330 mm
D	Width	1.635 mm
E	Rear width (rear lights)	2.147 mm
G	Center of gravity on the rear of the truck	250 mm
H	Rear overall size of the truck	817 mm
I	Ground clearance	150 mm
J	Mast tilting (Front)	5°
K	Mast tilting (back)	10°
L	Arm forward mvt	800 mm
Apron		1.000 mm
Engine Vanguard 18CV—570cm ³		13kW
Weight		620 kg
Speed		3 km/h
Front pneumatics PS 315/25-75K	Diameter	305 mm
	Width	105 mm
Rear pneumatic 18x8,5-10	Diameter	465 mm
	Width	205 mm
Forks	Lenght	1.200 mm
	Section	80x45 mm



HYDRAULIC CONTROLS



ENGINE
VANGUARD
 18CV flat twin
 Gasoline



	Capacity (liters)
Engine ->	Vanguard
Engine oil	1,6
Gas tank	7
Hydraulic tank	25

PNEUMATICS

Pneumatics
PS 315/25-75K
18x8,5-10