

transmanut



CONSTRUCTEUR

Ruw terrein versie !
Capacity 2.000 kg en hoger

TTI 26 & 27



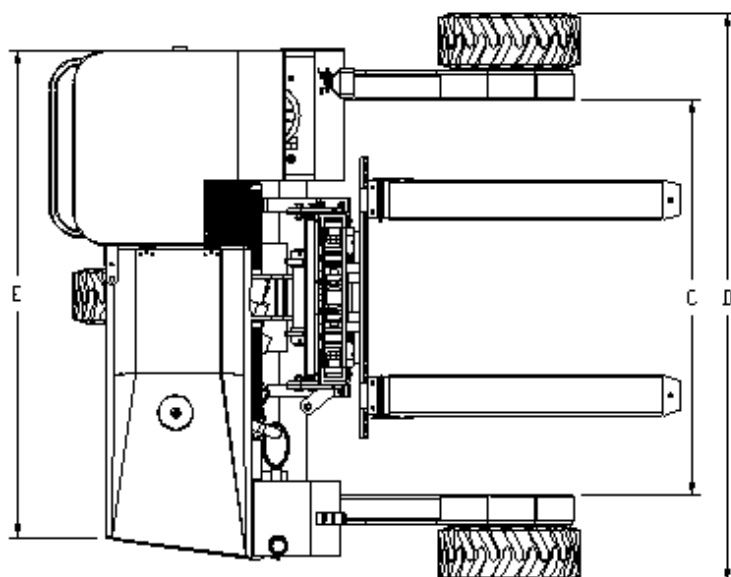
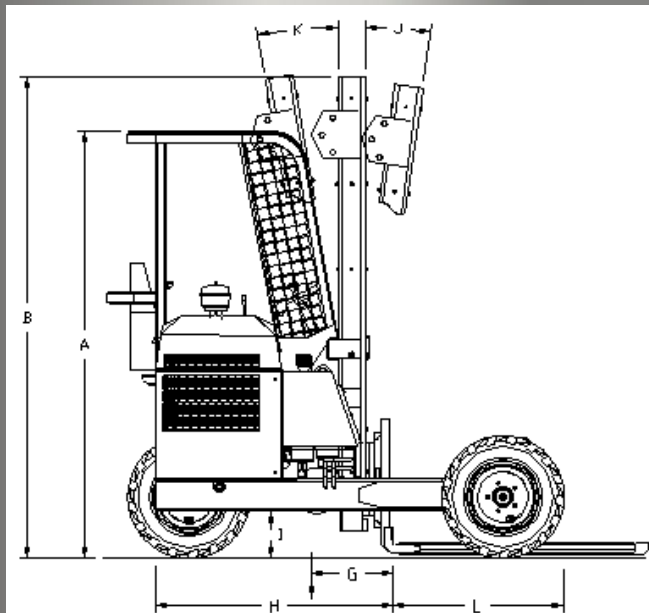
Succesvol in :

Bouw en landbouw

- ◆ 3 drive wheels
- ◆ Pneumatics 27x10-12 or 26x12x12
- ◆ Kubota engine



		TTI 26	TTI 27
Capacity		2.000 kg	2.000 kg
Center of gravity		600 mm	600 mm
Lifting height		3.100 mm	3.100 mm
A	Height of cab	2.107 mm / 2091 mm	2.107 mm / 2091 mm
B	Mast height (collapsed)	2.314 mm	2.314 mm
C	Width between arms	1.520 mm mm	1.520 mm
D	Width	2.427 mm	2.341 mm
E	Rear width	1.960 mm	1.960 mm
G	Center of gravity at the rear of the vehicle	380 mm	380 mm
H	Space saving at the rear of the vehicle	1.130 mm	1.130 mm
I	Ground clearance	333 mm / 313 mm	333 mm / 313 mm
J	Mast tilting (front)	8°	8°
K	Mast tilting (rear)	10°	10°
Apron		1.200 mm	1.200 mm
Side shift (mast)		150 mm	150 mm
Weight		2000 kg	2010 kg
Speed		10 km/h	10 km/h
Kubota engine		35 cv	35 cv
Pneumatics		26x12-12	27x10-12
Diameter		668 mm	710 mm
Width		328 mm	266 mm
Telescopic forks		1.250 mm	1.250mm
Extension		900 mm	900 mm
Section		170x55 mm	170x55 mm
Integrated driver		Options :	
Front stabilizers		▶ Mast height : 3m40 – 3m60	
Grey chassis, RAL 7022		▶ Mast with extensor 3m60	
Yellow sheet metal, RAL 1007		▶ Hydraulic fork positioner	



transmanut 

ZAC des Sorbiers

2 rue Joseph Cugnot - 41350 Vineuil

Tel. : +33 (0)2 54 42 90 30 - +33 (0)2 54 42 38 15

www.transmanut.com